

EBR-LCM-DALIG64 & EBR-LCM-DALIG64-B

Pluggable DALI lighting control module

Overview



The EBR-LCM-DALIG64 and EBR-LCM-DALIG64-B are Rapid lighting control modules (LCMs) designed for controlling addressable DALI devices such as fluorescent or LED lighting ballasts. With 3 pluggable outputs the full range of 64 DALI addresses can be achieved. These ports share a relay providing a switched live output and a second relay for emergency test. The 4th output is a volt free contact to control external devices. All LCMs are available with CP's patented Energy Measurement technology as an option for measuring the energy consumption of all luminaires connected to the LCM.

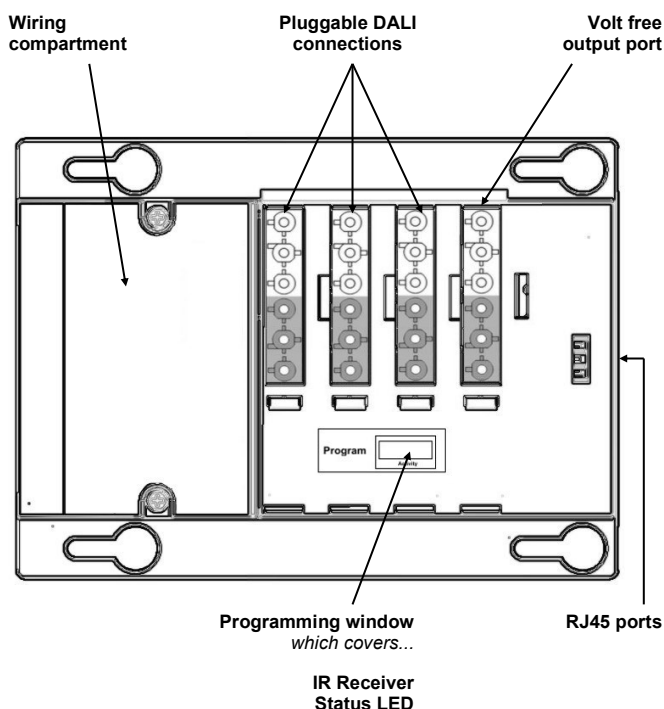
This LCM also has a total of 11 switch inputs. 6 in the wiring compartment with screw terminals and 7 via an RJ45 port.

Used in conjunction with our range of DALI presence detectors a single DALI cable can be run to digitally control all the lighting and power the sensors. This saves time and money on additional specialist cable. It is ideal for chilled beam, continuous run lighting, and core areas.

Please speak to our technical team for further information.

Features

Front features



Wiring compartment

Within the wiring compartment there are the following connections.

- Mains, including a Permanent Live used to feed the emergency test relay.
- Low Voltage connections
 - 6 x SELV inputs. (Inputs 1-5 & 11)
 - 2 x Rapid network CAN ports

Pluggable DALI connections

Three 6 pole GST style ports with DALI bus connection and shared 10A relays for a switched output and 6A emergency test.

Volt free output port

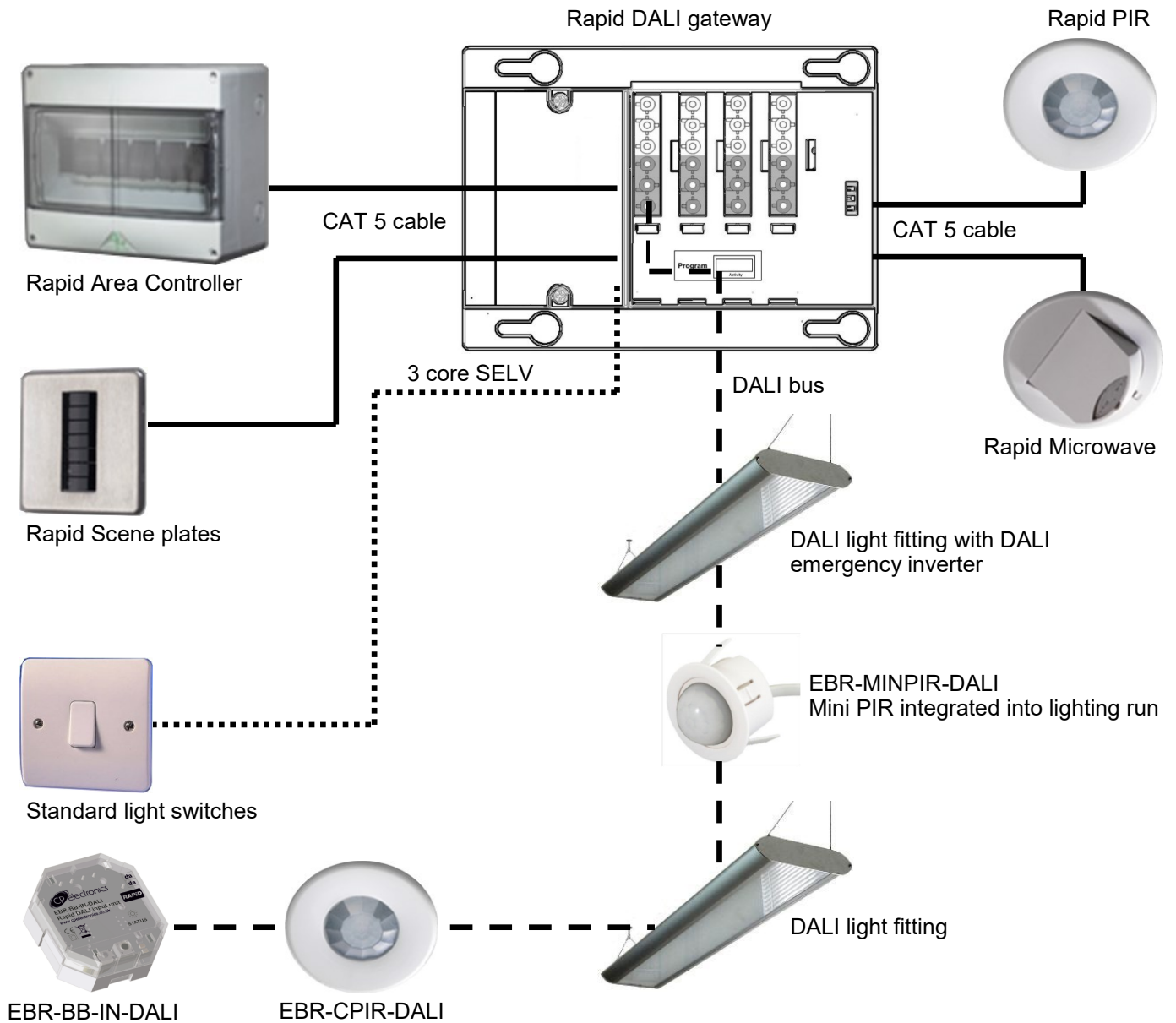
6A 230VAC Voltage free contact. Used to switch external peripherals, such as HVAC and BMS systems.

RJ45 ports

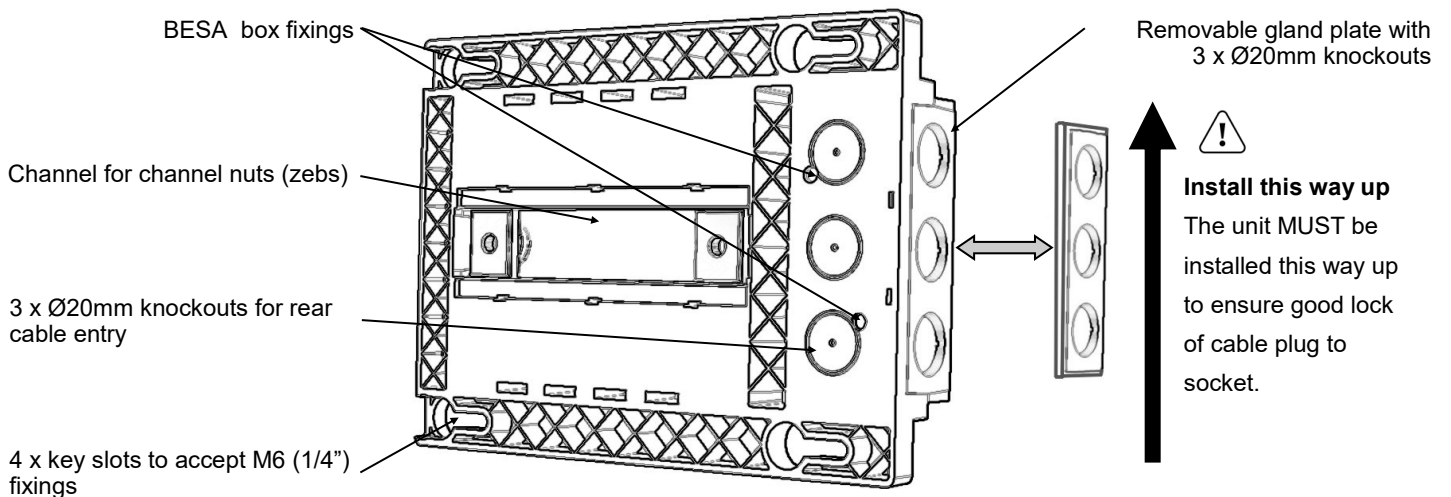
At the end of the unit there are 5 RJ45 ports.

- 2 x power and Rapid network CAN ports
- 2 x Rapid network CAN ports
- 1 x SELV switch input port (7 inputs plus common). Inputs 5-11.

System wiring example



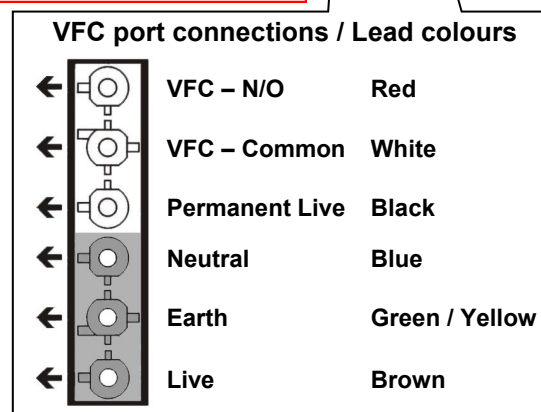
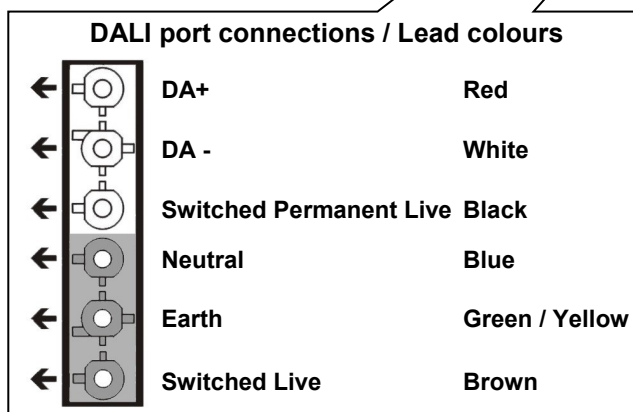
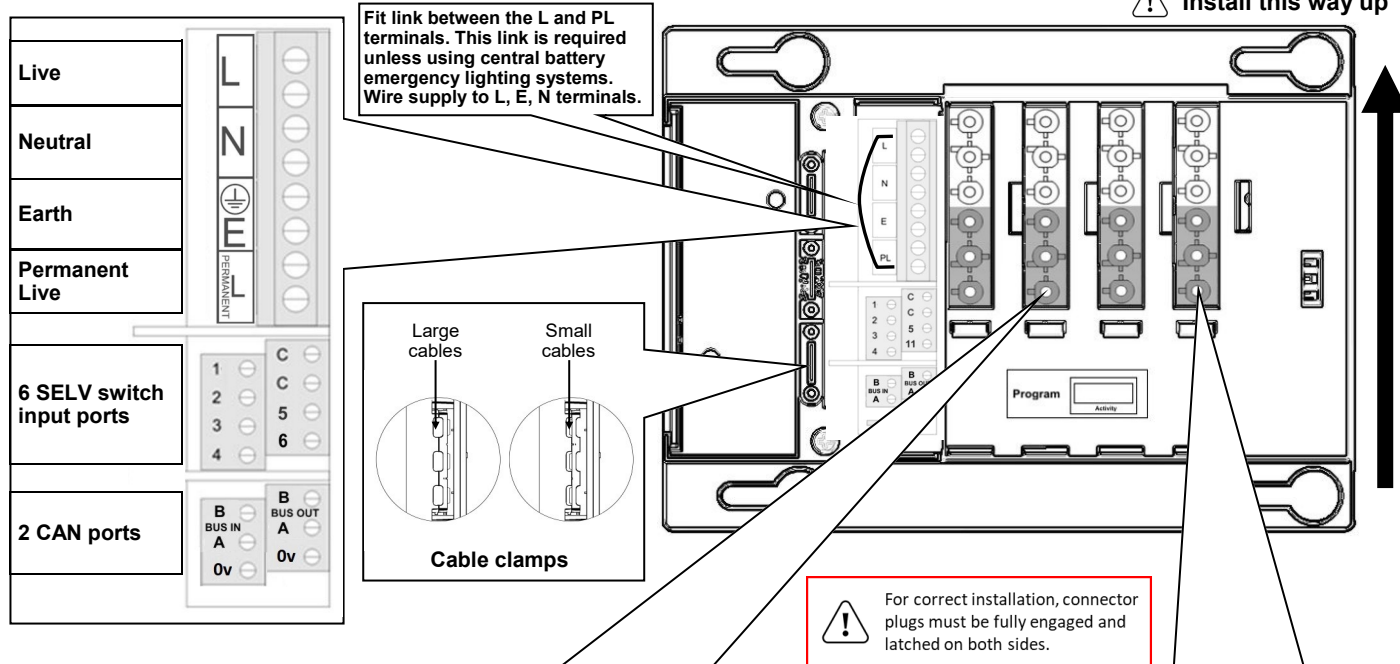
Installation



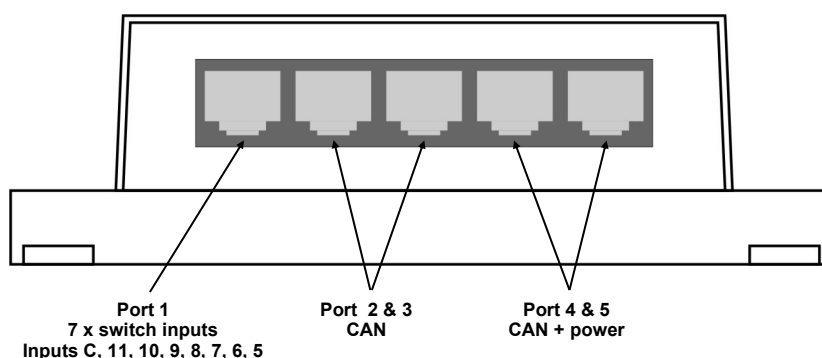
Warning. This device works at mains voltage. Be sure to take care when working with electricity.

- The box should be fixed on a smooth, flat surface or using drop rod fixings attached to channel nuts.
- Ensure that there is easy access to the wiring compartment and all connectors once the box is in-situ.

⚠ Install this way up



RJ45 ports



DAI bus loading

Devices (detectors / input units) and ballast combinations for 200mA supply.

This assumes that the sensor LEDs are all on, and the sensor is receiving IR communication.

- 4 devices and up to 64 ballasts
- 5 devices and up to 55 ballasts
- 6 devices and up to 44 ballasts
- 7 devices and up to 33 ballasts
- 8 devices and up to 22 ballasts
- 9 devices and up to 12 ballasts
- 10 devices and up to 2 ballasts

In most realistic scenarios, only one LED is on at a time and only one detector is receiving IR; guidance changes to.

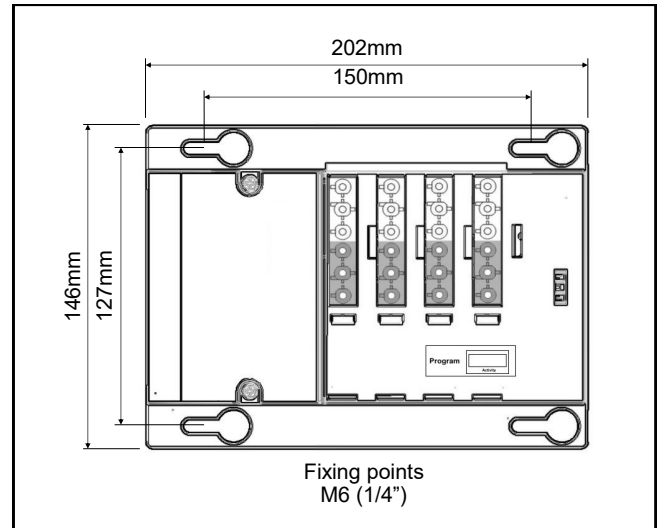
- 10 devices up to 64 ballasts
- 11 devices up to 60 ballasts
- 12 devices up to 55 ballasts
- 13 devices up to 50 ballasts
- 14 devices up to 48 ballasts
- 15 devices up to 44 ballasts

Addressing limits of DG64

- 5 input units of 7 channels each
- 10 detectors

Technical data

Dimensions	See diagrams opposite	
Weight	0.45kg	
Supply Voltage	220-240VAC	
Frequency	50Hz	
Relay rating	Switched live	10A
	Switched permanent live	6A
	Volt free output (VFC)	6A
Terminal Capacity	Mains - 4mm ² in wiring compartment	
	Switched inputs and CAN - 2.5mm ² in wiring compartment	
Power consumption	On 1840mW, Off ???mW	
DALI Voltage	16VDC via DALI	
DALI Output Current	250mA (maximum)	
DALI bus	Cannot be considered as SELV since DALI, ballasts only offer basic insulation, therefore all devices on the DALI bus must be wired as if carrying mains potential.	
Temperature	-10°C to 35°C	
Humidity	5 to 95% non-condensing	
Material (casing)	Flame retardant ABS and PC/ABS	
Classifications	Insulation	Class II
	Purpose	Operating control
	Construction	Independently mounted control for surface mounting
	Type of action	Type 1.B action micro disconnection
	Software class	Class A
	Pollution	Degree 2
Compliance	EMC-2014/30/EU LVD-2014/35/EU	
For further compliance information visit www.cpelectronics.co.uk/compliance		



Height - allow 150mm for total height of unit (including connectors and cable)

Important
For lighting purposes only with suitable circuit protection. For fixed wiring only.

Part numbers

	Part number	Description
Control module	EBR-LCM-DALIG64	Pluggable DALI lighting control module grey connectors
	EBR-LCM-DALIG64-B	Pluggable DALI lighting control module blue connectors
	EBR-LCM-DALIG64-B-EG	Pluggable DALI lighting control module blue connectors + energy measurement
Accessories	UNLCDHS	Universal LCD programming handset



CP Electronics - a business unit of
Legrand Electric Limited
Brent Crescent, London NW10 7XR UK
Tel: +44 (0)333 900 0671
Fax: +44 (0)333 900 0674

A brand of **legrand**
www.cpelectronics.co.uk
enquiry@cpelectronics.co.uk